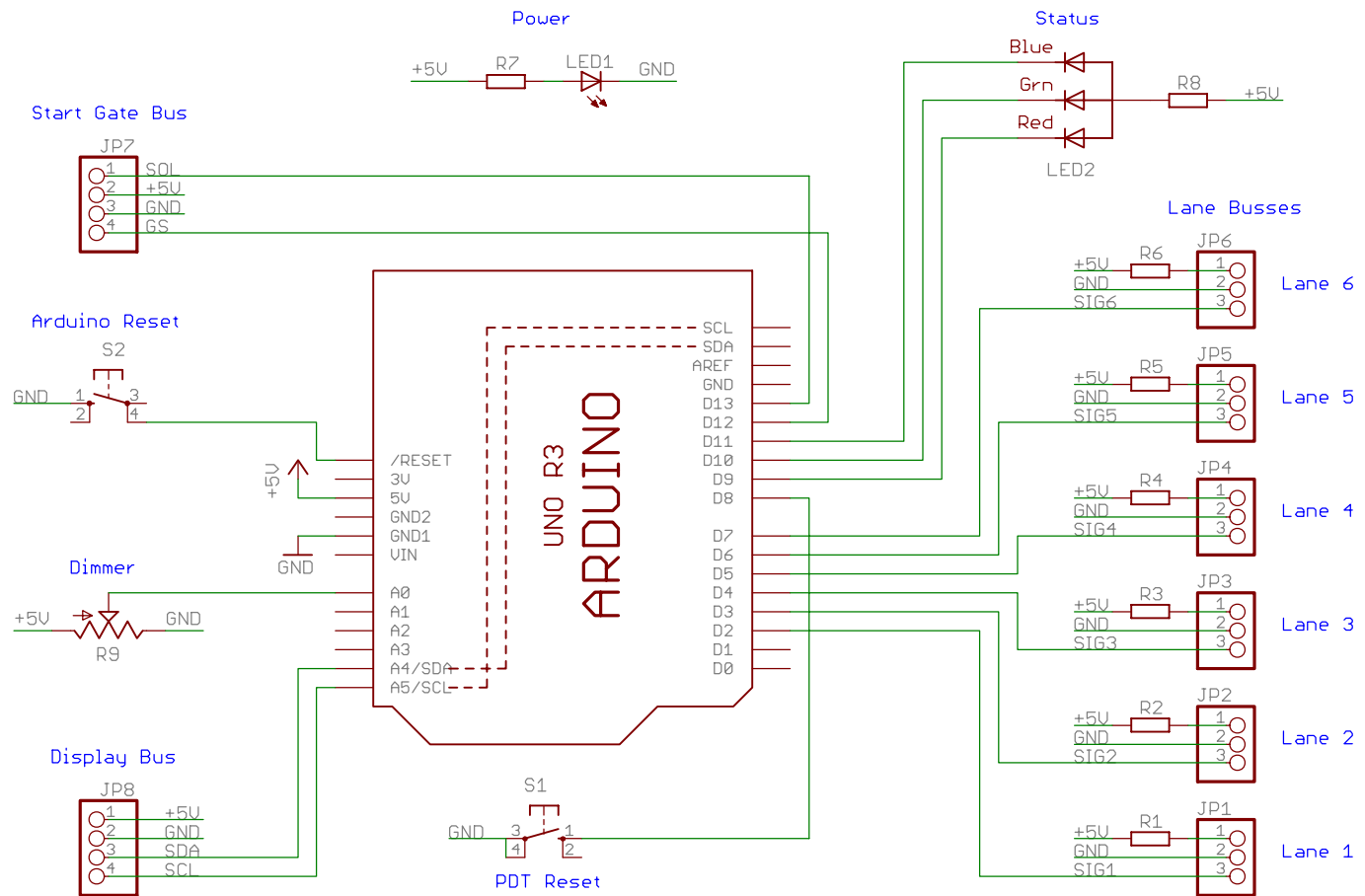


Copyright © 2011-2018 David Gadberry

This work is licensed under the Creative Commons Attribution-NonCommercial-ShareAlike 3.0 Unported License. To view a copy of this license, visit <http://creativecommons.org/licenses/by-nc-sa/3.0/> or send a letter to Creative Commons, 444 Castro Street, Suite 900, Mountain View, California, 94041, USA.

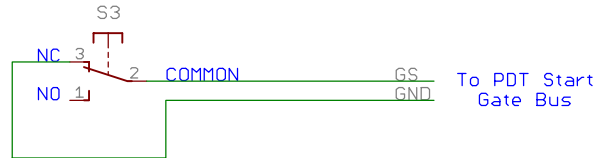
<https://www.dfgtec.com/pdt>

# Pinewood Derby Timer (PDT)



<b>Title:</b> Pinewood Derby Timer (PDT)	
<b>Note:</b> <a href="https://www.dfgtec.com/pdt">https://www.dfgtec.com/pdt</a> Copyright 2011-2018 David Gadberry	<b>Rev:</b> 3
<b>Date:</b> 7 Apr 2016	<b>Sheet:</b> 1 / 3

## Start Gate Circuit

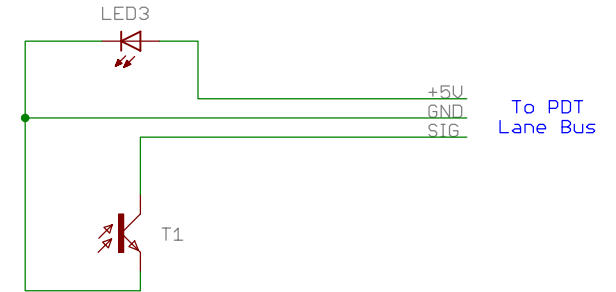


**Notes:**

- Refer to website regarding configuration of snap switch on the start gate.

## Lane Circuit

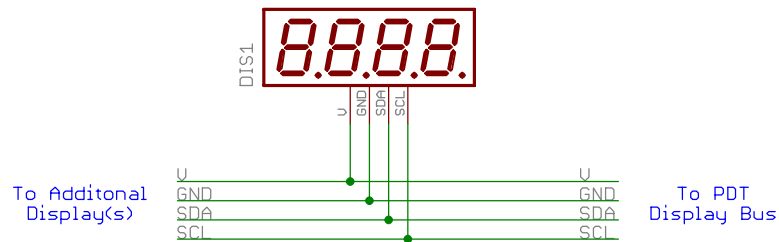
Light source (above track)



**Notes:**

- Repeat circuit for each lane.

## Display Circuit



**Notes:**

- Place / time displays are optional.
- Refer to website regarding power requirements and options.

**Title:** Pinewood Derby Timer (PDT) Circuits

**Note:** <https://www.dfgtec.com/pdt>  
Copyright 2011-2018 David Gadberry

**Rev:**  
3

**Date:** 8 Apr 2016

**Sheet:** 2 / 3